



The Gallery  
BY  
ECD AUTOMOTIVE DESIGN

# ARTISAN-BUILT AUTOMOTIVE CRAFTSMANSHIP



At The Gallery by ECD, customization is approached with the same level of craftsmanship and precision found in the world's most respected luxury marques. From performance enhancements and handcrafted interiors to custom paintwork and advanced technology integration, every service is tailored to the client and their vehicle.

Designed for owners who expect more than standard aftermarket solutions, The Gallery delivers a full-service, concierge-level experience for luxury, exotic, and collector vehicles of every kind.



# SIGNATURE PAINT & FINISHING

Transform the presence of your vehicle with custom paintwork and specialty finishes selected specifically for your vision. Whether inspired by heritage motorsport palettes, contemporary metallics, or understated monochromatic tones, every surface is completed with exceptional attention to detail and show-quality execution.



# HANDCRAFTED INTERIOR & UPHOLSTERY SERVICES

The Gallery offers artisan-built upholstery services using premium materials, contrast stitching, custom embroidery, and tailored trim packages to create a cabin that feels elevated, modern, and completely unique to its owner. Every interior is curated and can be as unique as a signature.



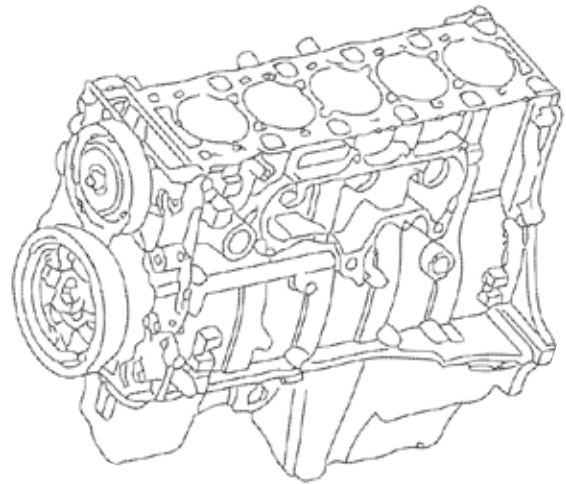
# SIGNATURE PERFORMANCE UPGRADES



Power and drivability are engineered to match the character of each build. From modern V8 conversions to fully integrated performance upgrades, our team delivers solutions that combine reliability, responsiveness, and exhilarating performance for luxury and enthusiast vehicles alike.

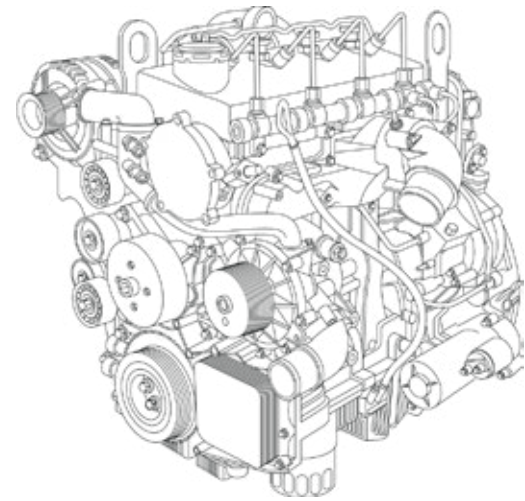


# DRIVETRAIN OPTIONS



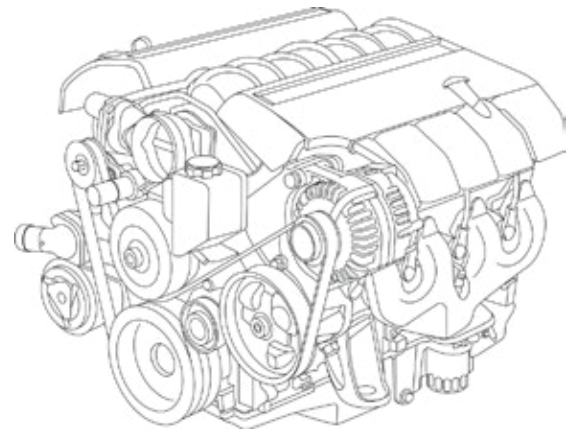
Land Rover  
TD5 Engine

*5 Speed Manual  
4 Speed Automatic  
Rebuilt OG TD5 Diesel  
122 hp*



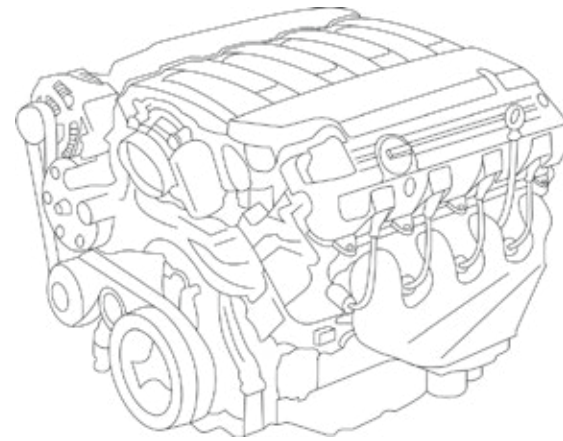
Cummins  
R2.8 Engine

*6 Speed Automatic  
Turbocharged  
Diesel*



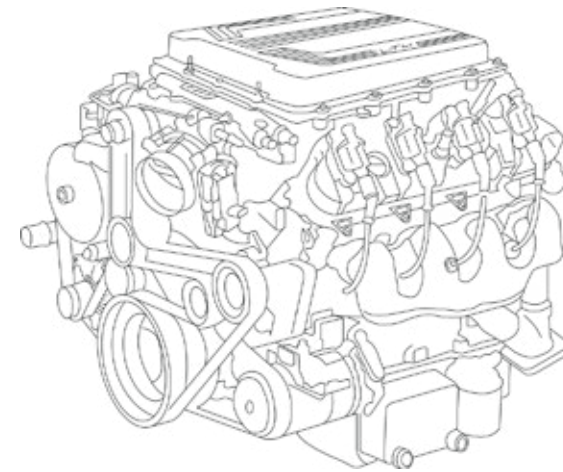
GM  
LS3 Engine

*6 Speed Automatic  
V8 - 430hp*



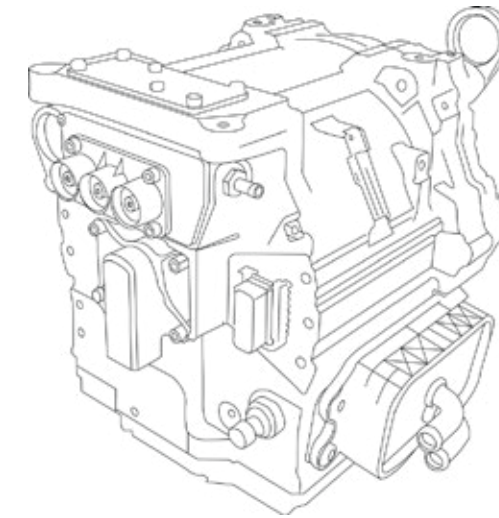
GM  
LT1 Engine

*8 Speed Automatic  
V8 - 450hp*



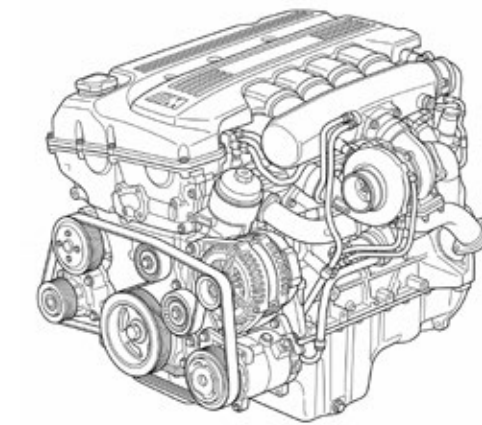
GM  
LT4 Engine

*8 Speed Automatic  
V8 - 650hp Supercharged*



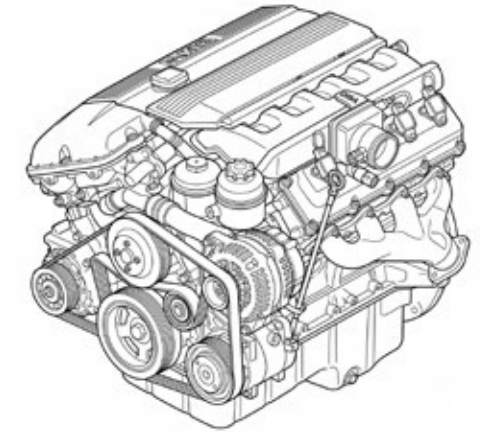
Ampere  
Electric Motor

*Direct drive  
400hp (appx)  
200 mile range (est)*



BMW  
M57

*268hp Turbo Diesel  
Inline-six  
Automatic or Manual*



BMW  
M54

*231hp  
Inline-six  
Automatic or Manual*

# PREMIUM SOUND & TECHNOLOGY INTEGRATION

Experience audio engineered specifically for your vehicle. The Gallery integrates high-end sound systems, discreet speaker packages, amplifiers, subwoofers, and modern technology upgrades designed to complement the interior while delivering exceptional clarity and performance.



# SIGNATURE EXTERIOR STYLING AND BODY ENHANCEMENTS

From subtle exterior enhancements to complete widebody packages, every component is selected to complement the proportions and personality of the vehicle. Carbon fiber elements, custom wheel fitments, and tailored styling packages create a cohesive and elevated final result.



# END-TO-END AUTOMOTIVE SERVICES

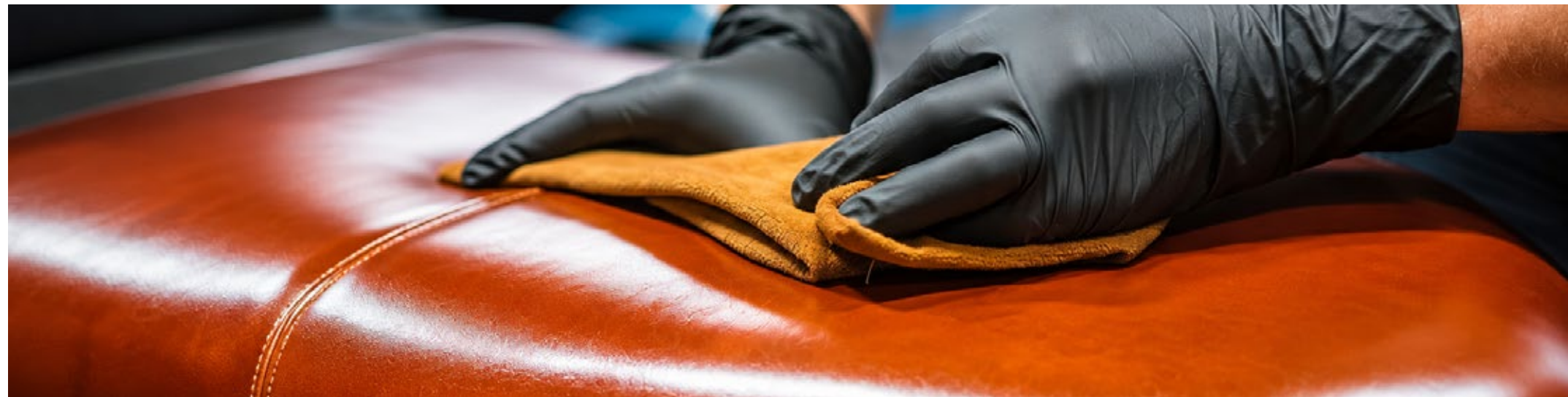
The Gallery by ECD offers a fully integrated approach to luxury vehicle customization. Clients work directly with a dedicated team through every phase of the process, from consultation and design direction to fabrication, engineering, finishing, and final delivery.

Every project is built with a focus on craftsmanship, individuality, and uncompromising quality.



# BUILT AROUND YOUR VISION

Whether commissioning a tasteful interior upgrade, a performance-focused build, or a complete vehicle transformation, The Gallery by ECD delivers a seamless experience tailored to the world of luxury vehicles. Every detail is considered. Every finish is personal. Every element is hand-crafted to exceed expectations.



# ECD

## AUTO DESIGN

Unit 107 - 4930 Industrial  
Lane Kissimmee, Florida  
34758 (407)-483-4825

[www.ecdautodesign.com](http://www.ecdautodesign.com)



ECD AUTOMOTIVE DESIGN



ECDAUTODESIGN



ECDAUTODESIGN



ECD AUTOMOTIVE DESIGN



Images are a representation and actual product may differ slightly. If product is no longer available then an alternative will be sought. There may be extra charges for fitting or additional items required to install your item.